

EHEIM



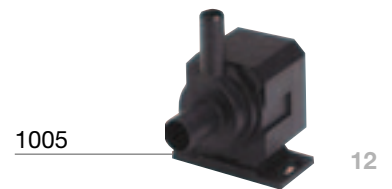
Product Range
Pumps 2010



Product range

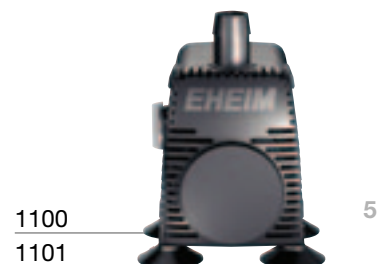
EHEIM pumps

	1000	compact 1001	1002	universal 1005
suitable also as immersion pump				●
suitable only as immersion pump	●	●	●	
max. temperature of media	35°C	35°C	35°C	35°C
max. output l/h	300	600	1000	270
max. delivery head Hmax m	0.5	1.3	2.0	0.75
power consumption Watt	5	11	23	4
Tubing connection				
pressure side ø mm	13	13	17	13
thread	--	--	--	--
suction side ø mm	--	--	--	17
thread	--	--	--	--
Versions				
100 V / 50 Hz	●	●	●	
100 V / 60 Hz	●	●	●	
120 V / 60 Hz	●	●	●	
230 V / 50 Hz	●	●	●	●
240 V / 50 Hz	●	●	●	●
220 V / 60 Hz	●	●	●	
protection class	II	II	II	I
international protection	IP 68	IP 68	IP 68	IP 68



EHEIM pumps

	1100	compact + 1101	1102	marine 1103
suitable also as immersion pump	●	●	●	●
max. temperature of media	35°C	35°C	35°C	35°C
max. output l/h	1000-2000	1500-3000	2500-5000	800-2400
max. delivery head Hmax m	2.3	3.0	3.0	2.0
power consumption Watt	35	66	78	38
Tubing connection				
pressure side ø mm	20	20	25	25
thread	--	--	--	G1"
suction side ø mm	20	20	25	25
thread	G3/4"	G3/4"	G1"	G1"
Versions				
100 V / 50 Hz	●	●	●	
100 V / 60 Hz	●	●	●	
120 V / 60 Hz	●	●	●	●
230 V / 50 Hz	●	●	●	●
240 V / 50 Hz	●	●	●	●
protection class	II	II	II	II
international protection	IP X8	IP X8	IP X8	IP X8



Product range

EHEIM circulation pump 1104 PCPS

max. temperature of media	50°C
max. output l/h	250
max. delivery head Hmax m	1.60
power consumption Watt	4

Tubing connection

pressure side ø	G 1/4"
suction side ø	G 1/4"
12 V DC	●
protection class	III
international protection	IP 30



1104
PCPS



Page
7

EHEIM centrifugal pumps 1046 1048 1250 1260 1262

suitable also as					
immersion pump	●	●	●	●	●
max. temperature of media	35°C	35°C	35°C	35°C	35°C
max. output l/h	300	600	1200	2400	3400
max. delivery head Hmax m	1.2	1.5	2.0	3.7	3.6
power consumption Watt	5	10	28	65	80

Tubing connection

pressure side ø mm	11	13	13	18	18
thread	G 1/8"	G 1/4"	G 3/8"	G 3/4"	G 3/4"
suction side ø mm	13	13	18	28	28
thread	G 3/8"	G 3/8"	G 1/2"	G 3/4"	G 3/4"

Versions

24 V / 50 Hz		●	●		
100 V / 50 Hz	●	●	●	●	●
100 V / 60 Hz	●	●	●	●	●
120 V / 60 Hz	●	●	●	●	●
230 V / 50 Hz	●	●	●	●	●
240 V / 50 Hz	●	●	●	●	●
220 V / 60 Hz			●	●	
protection class	I	I	I	I	I
international protection	IP 68	IP 68	IP 68	IP 68	IP 68

1046
1048



8
9

1250



10

1260
1262



11



EHEIM air pumps 3701 3702 3704

max. output l/h	100	200	400
max. delivery head Hmax m	2	2	2
power consumption Watt	3.5	4	5

Tubing connection

pressure side ø mm	5	5	5
--------------------	---	---	---

Versions

120 V / 60 Hz	●	●	●
230 V / 50 Hz	●	●	●
240 V / 50 Hz	●	●	●
220 V / 60 Hz	●	●	●
protection class	II	II	II
international protection	IP X4	IP X4	IP X4



3701



13

3702



13

3704



13

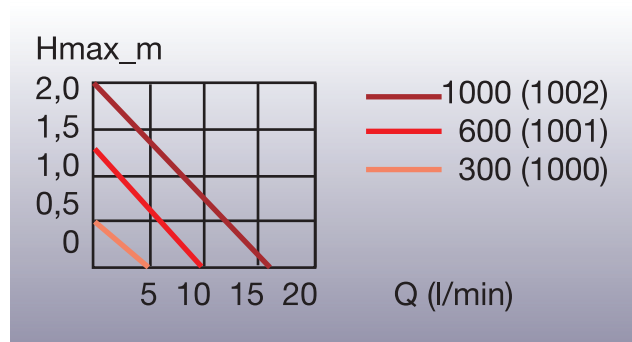
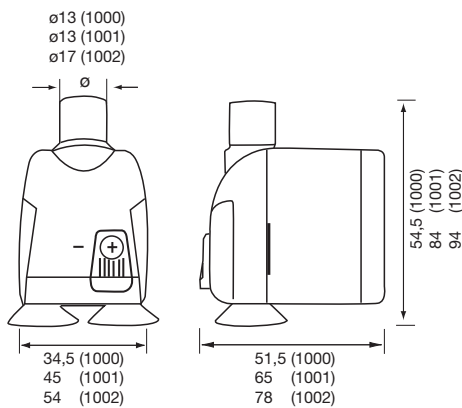
EHEIM compact pumps 1000/1001/1002



The EHEIM range of pumps is supplemented by the fully submersible range of compact pumps. Quiet, powerful, versatile with adjustable output, this range of pumps can be used in very small spaces.

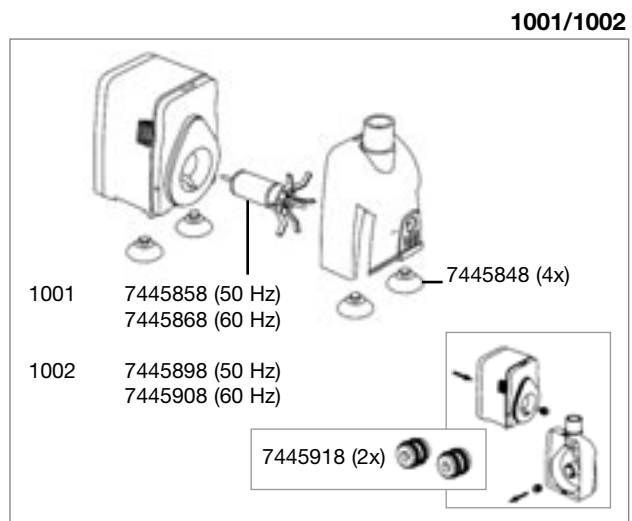
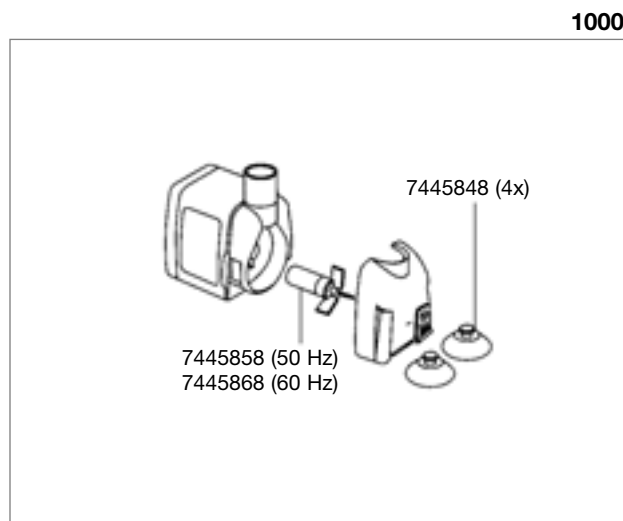
EHEIM compact pumps are suitable for marine and fresh water.

3 years guarantee



Technical Data			1000	1001	1002
pump output		l/h	300	600	1000
delivery head		Hmax m	0.5	1.3	2.0
power consumption		Watt	5	11	23
tubing connection:	suction side	Ø	--	--	--
	pressure side	Ø	13	13	17
dimensions	HxLxD	mm	54.5 x 34.5 x 51.5	84 x 45 x 65	94 x 54 x 78

Spare Parts



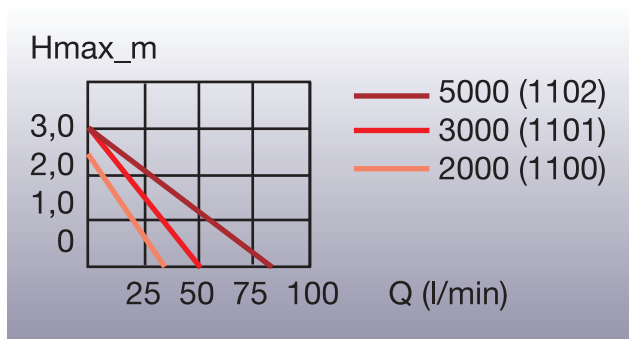
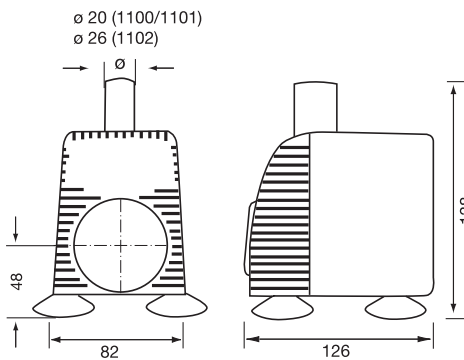
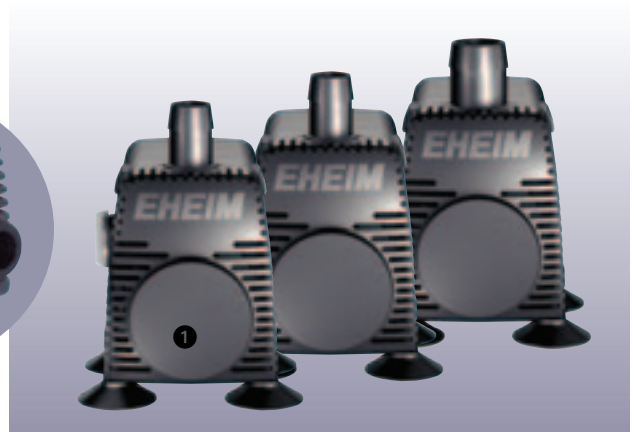
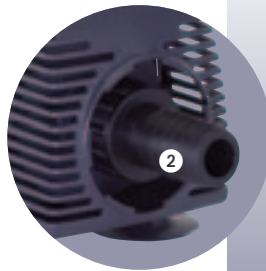
EHEIM compact pumps 1100/1101/1102



High adjustable output in a compact size

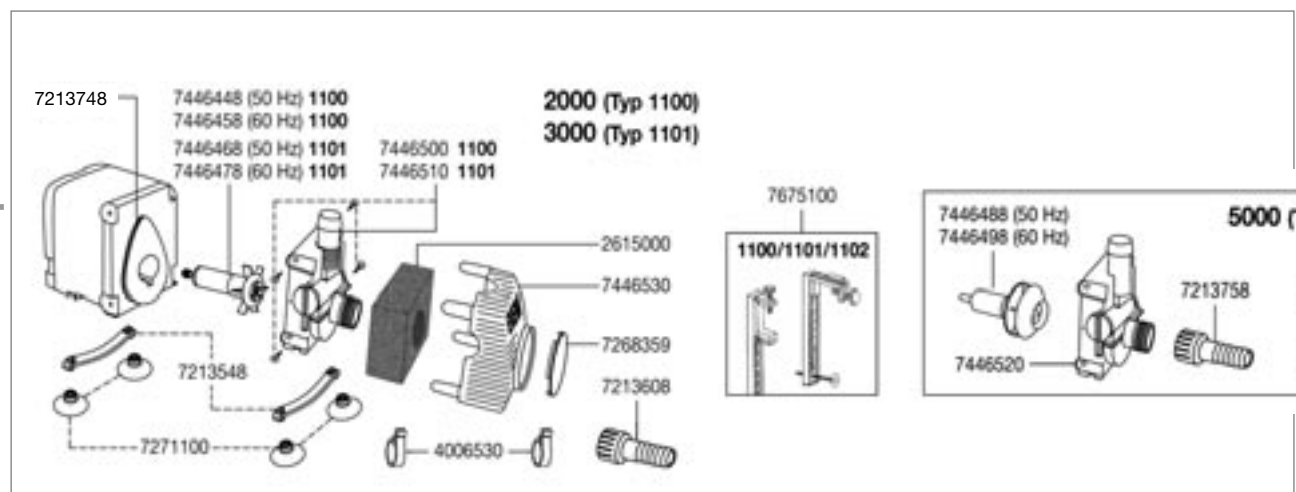
- ❶ For use in water
- ❷ Can also be used outside water (hose adapters included)

3 years guarantee



Technical Data			1100	1101	1002
pump output		l/h	1000-2000	1500-3000	2500-5000
delivery head		Hmax m	2.3	3.0	3.0
power consumption		Watt	35	66	78
tubing connection:	suction side	Ø	20	20	25
	pressure side	Ø	20	20	25
dimensions	HxLxD	mm	138x82x126	138x82x126	138x82x126

Spare Parts



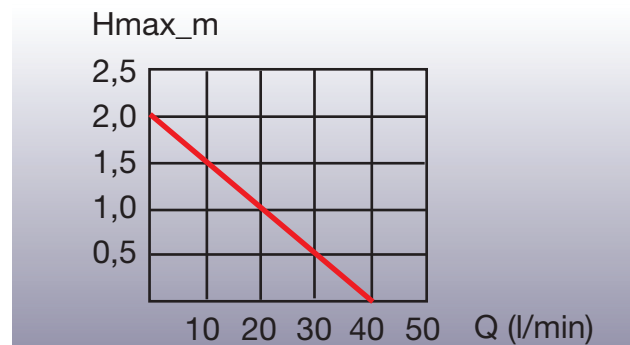
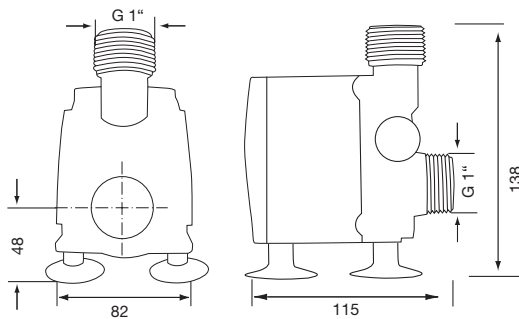
EHEIM marine pump for protein skimmer 1103



The perfect solution for driving protein skimmers

- with needle wheel for higher performance
- completely safe due to hermetically sealed motor
- High Performance Ceramics for quiet running smoothness and extremely long life
- suitable for long term use inside or outside water; not self-priming
- only for marine water
- accessories included

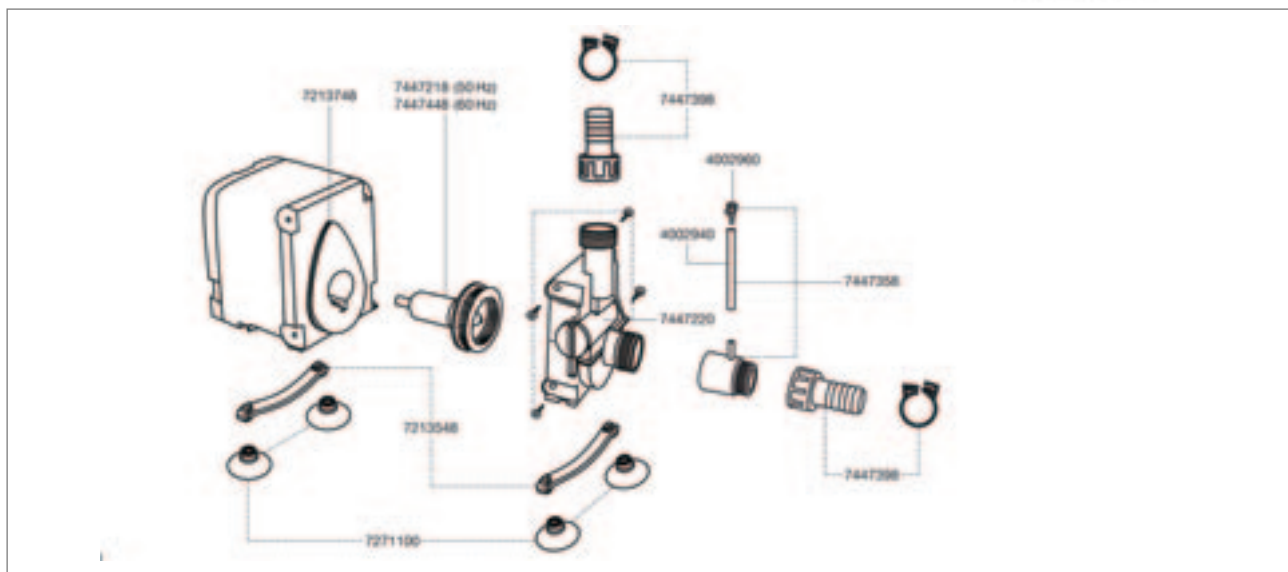
3 years guarantee



Technical Data			1103 marine
pump output	l/h		800-2400
delivery head	Hmax m		2.0
power consumption	Watt		38
tubing connection:	suction side	ø	25 mm/G 1"
	pressure side	ø	25 mm/G 1"
dimensions	HxLxD	mm	138x82x115



Spare Parts



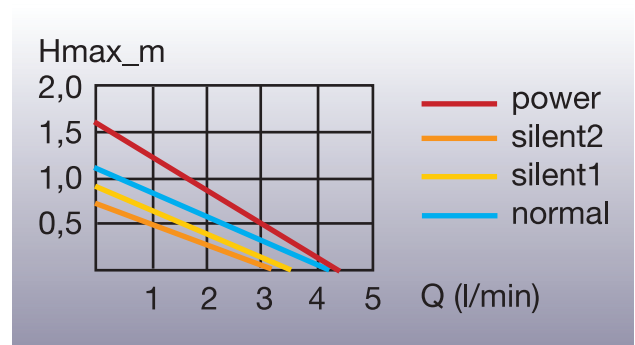
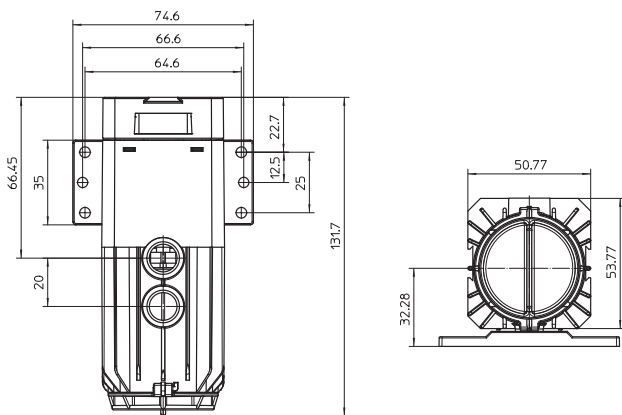
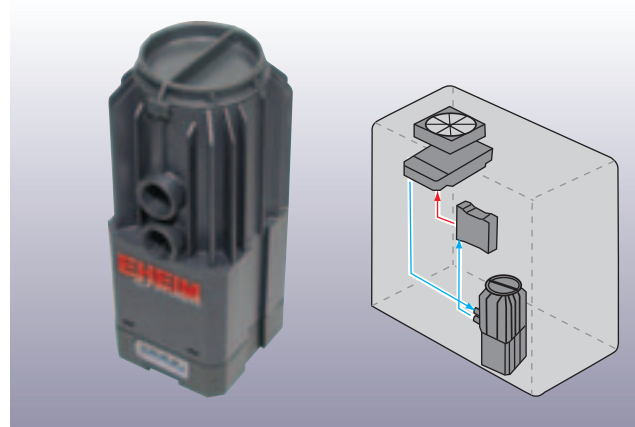
EHEIM circulation pump 1104 PCPS



Circulation pump with integrated compensation reservoir

- large reservoir for cooling liquid
- easy to open and refill
- extremely quiet, powerful
- 12V connection direct from PC power supply

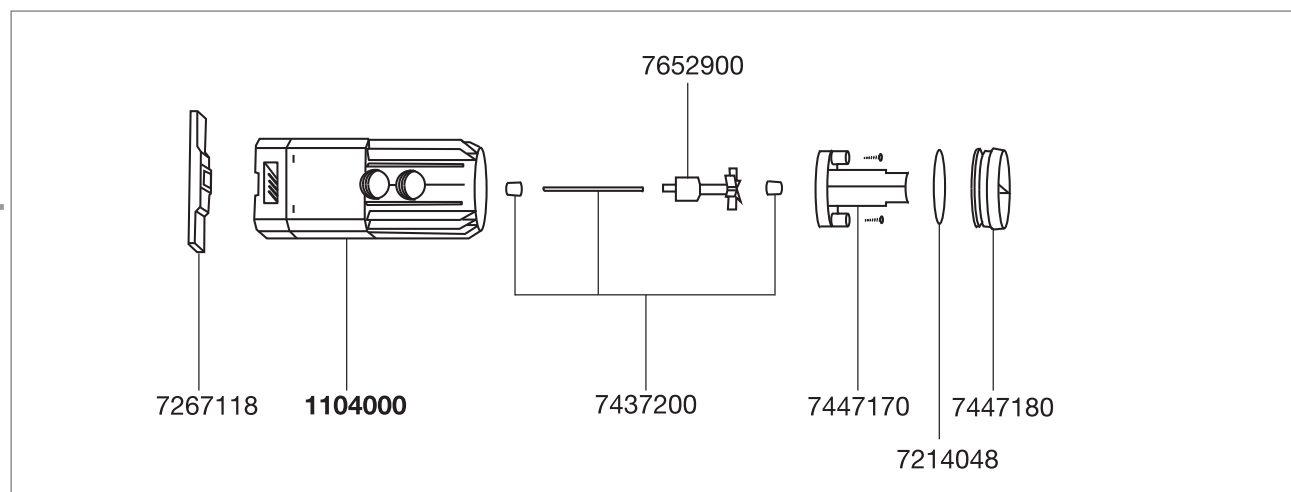
2 years guarantee



Technical data

			1104 PCPS (12 V DC)			
Mode			normal	silent1	silent2	power
pump output		l/h	250	210	190	250
delivery head		Hmax m	1.10	0.90	0.75	1.60
power consumption		Watt	4	3.7	4	4
tubing connection:	suction side	ø	G 1/4"			
	pressure side	ø	G 1/4"			
dimensions	HxLxD	mm	130 x 75 x 50.5			

Spare Parts



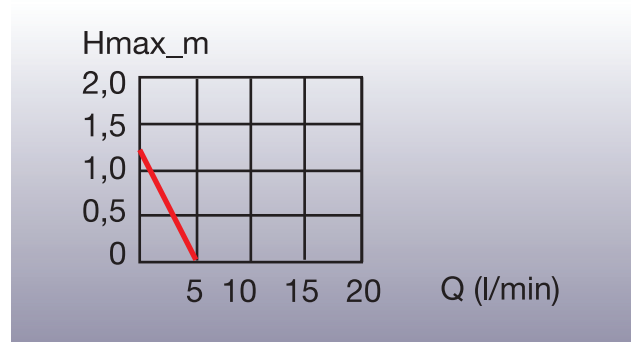
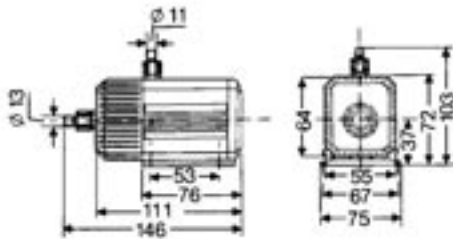
EHEIM Centrifugal Pump 1046



The important feature of this type is the variable application: The pump is suitable for in- and outside use and supplied with an integrated pre-filter.

The hermetically-sealed motor and the perfect construction guarantee permanent long-term performance for years.

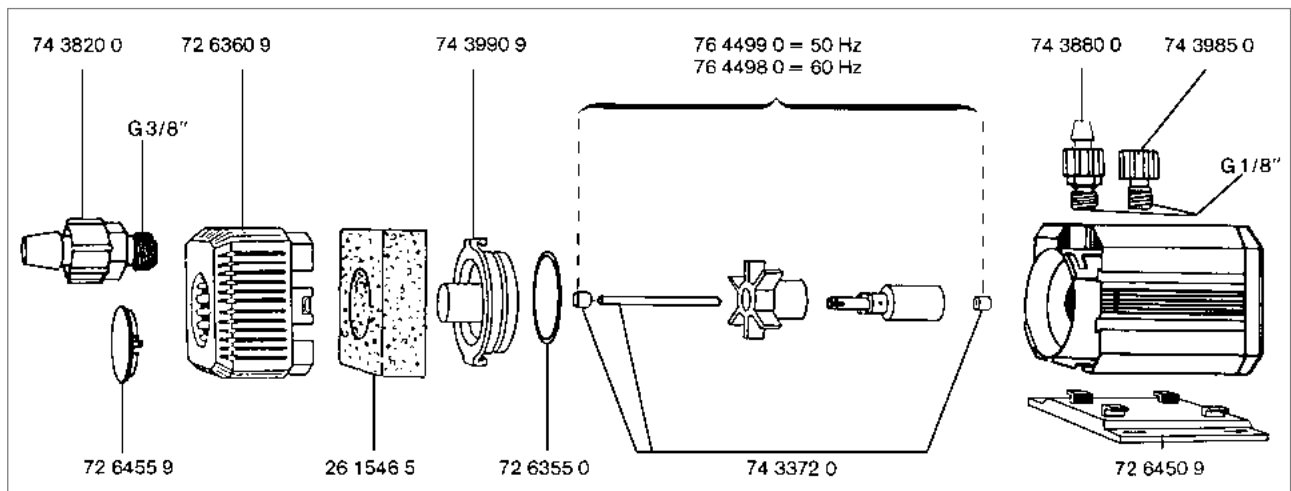
3 years guarantee



Technical Data

pump output	l/h	300
delivery head	Hmax m	1.2
power consumption	Watt	5
tubing connection:	suction side	Ø 13 mm / G3/8"
	pressure side	Ø 11 mm / G1/8"
dimensions	HxLxD	mm 103 x 75 x 146

Spare Parts



EHEIM Centrifugal Pump 1048

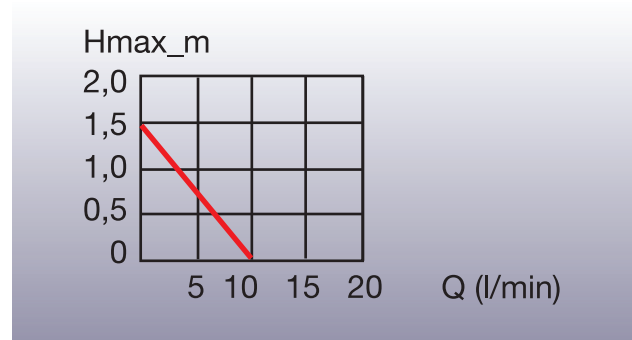
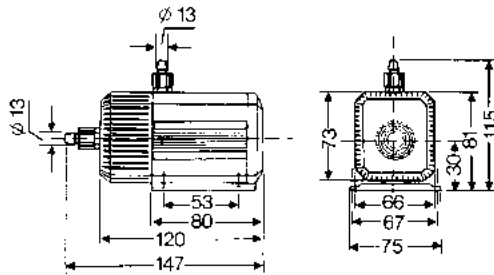


The universal centrifugal pump 1048 differs from the model 1046 in higher capacity and larger dimensions.

The base plate can be adjusted in three positions to enable different ways of installation.

The pump is suited for use inside as well as outside the flow medium.

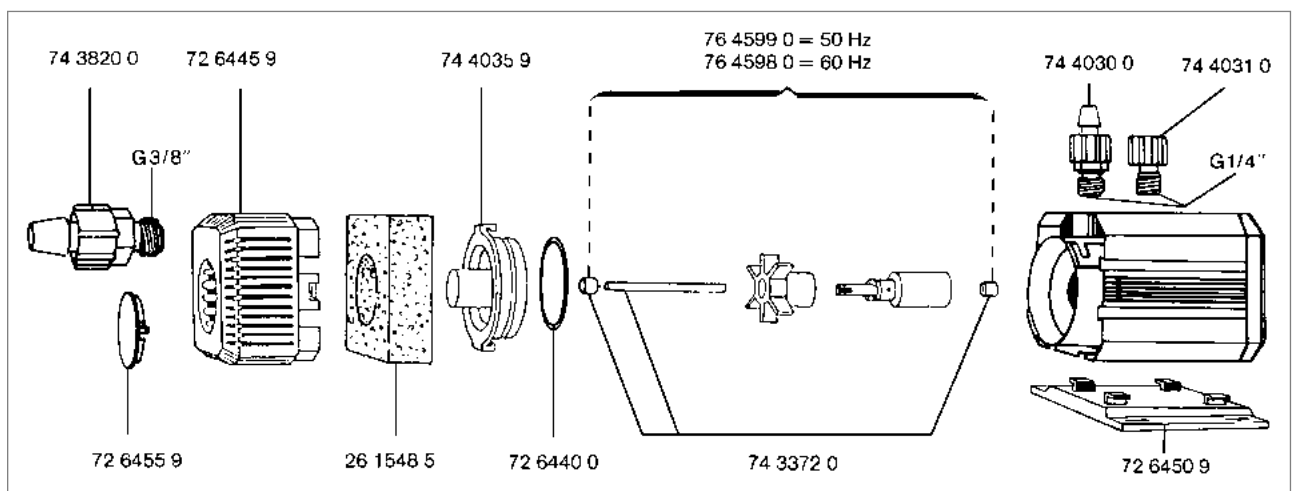
3 years guarantee



Technical Data

pump output	l/h	600
delivery head	Hmax m	1.5
power consumption	Watt	10
tubing connections:	suction side	Ø 13 mm / G3/8"
	pressure side	Ø 13 mm / G1/4"
dimensions	HxLxD	mm 115 x 75 x 147

Spare Parts



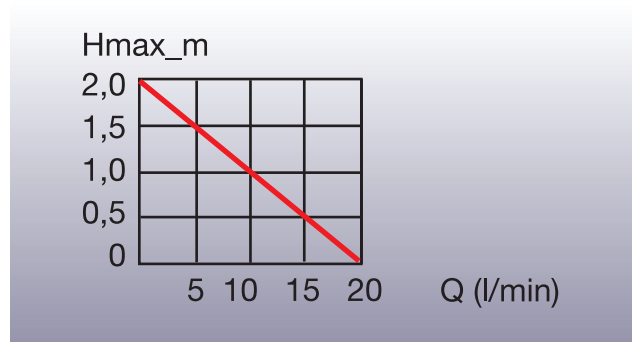
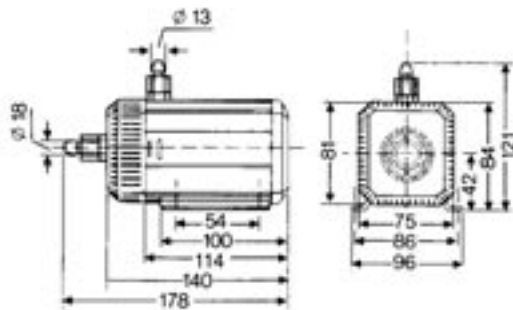
EHEIM Centrifugal Pump 1250



Universal application means: Priming via hose connection or integrated pre-filter; pressure nozzle or adapter for pipe connection - and attachable mounting strips for variable mounting. Furthermore, installation is facilitated by safe hose connections and additional hose clips. The capacity of the pump model 1250 is suited for a wide range of industrial applications.

The pump is suited for use inside and outside the flow medium.

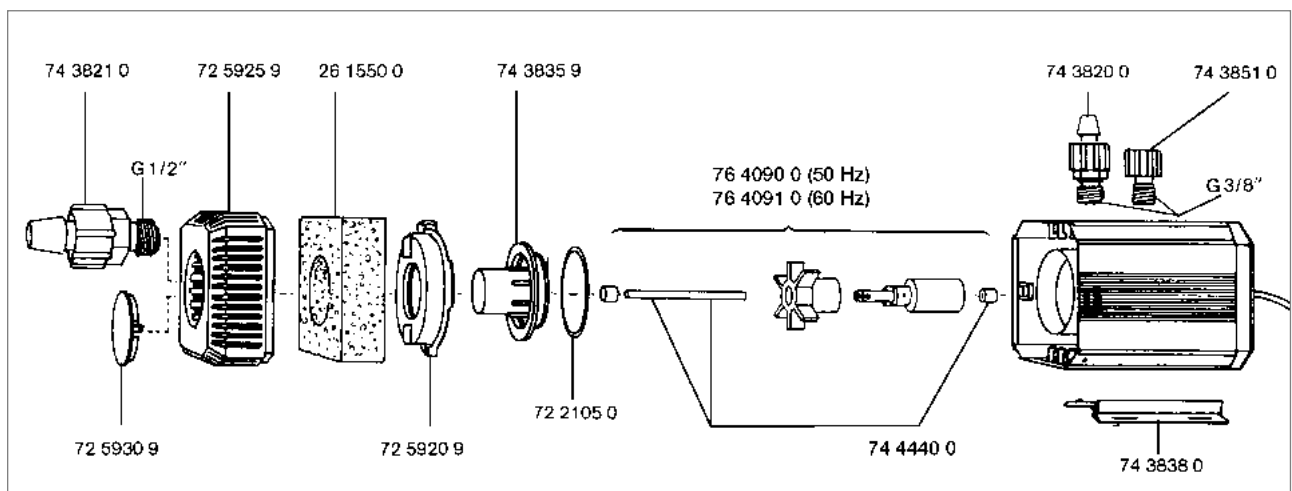
3 years guarantee



Technical Data

pump output		l/h	1200
delivery head		Hmax m	2.0
power consumption		Watt	28
tubing connection:	suction side	Ø	18 mm / G1/2"
	pressure side	Ø	13 mm / G3/8"
dimensions	HxLxD	mm	121 x 96 x 178

Spare Parts



EHEIM Centrifugal Pumps 1260/1262

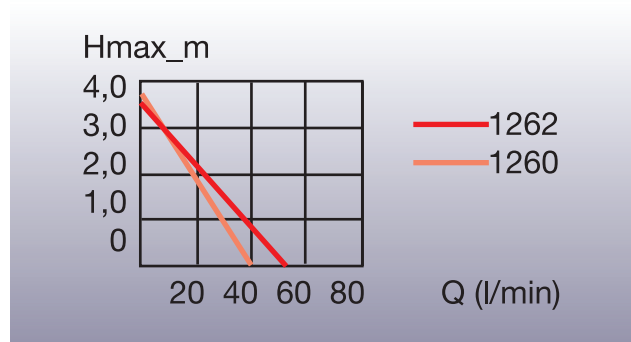
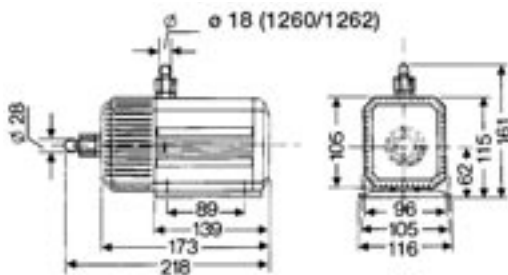


The range of tried and tested centrifugal pumps was extended and upgraded with the models 1260/62.

The pumps designed for constant use submerged or outside water have an integrated pre-filter, variable fixing options and an inlet connection for hose connection.

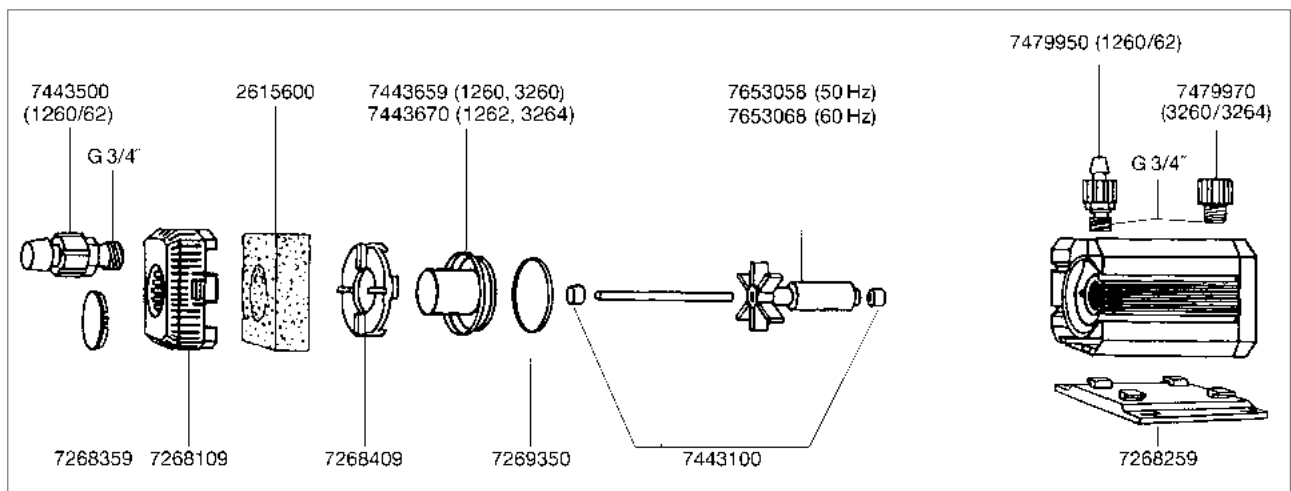
The range is supplied with 2 cable lengths (1.7m and 10m).

3 years guarantee



Technical Data			1260	1262
pump output	l/l		2400	3400
delivery head	Hmax m		3.7	3.6
power consumption	Watt		65	80
tubing connection:	suction side	Ø	28 / G3/4"	28 / G3/4"
	pressure side	Ø	18 / G3/4"	18 / G3/4"
dimensions	HxLxD	mm	161 x 116 x 218	161 x 116 x 218

Spare Parts



EHEIM Centrifugal Pump 1005

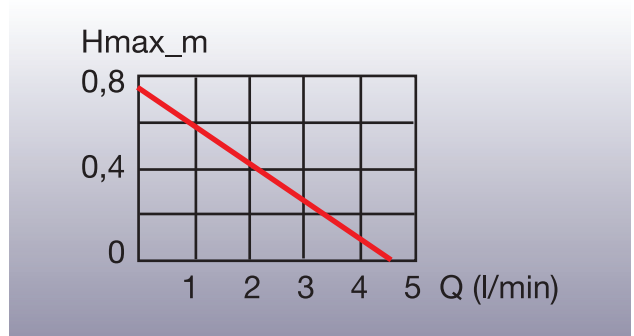
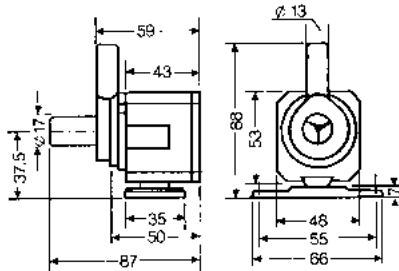
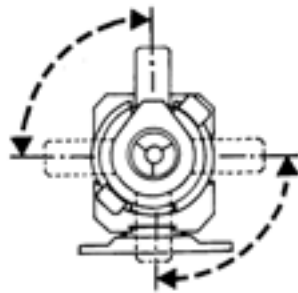


Versatility and variable mounting possibilities are the distinguishing features of this compact centrifugal pump.

The threaded inlet connector is rotative so that the direction of outlet can be adjusted according to requirements.

The bracket plate can be fixed on three sides alternatively, thus allowing either vertical or horizontal mounting.

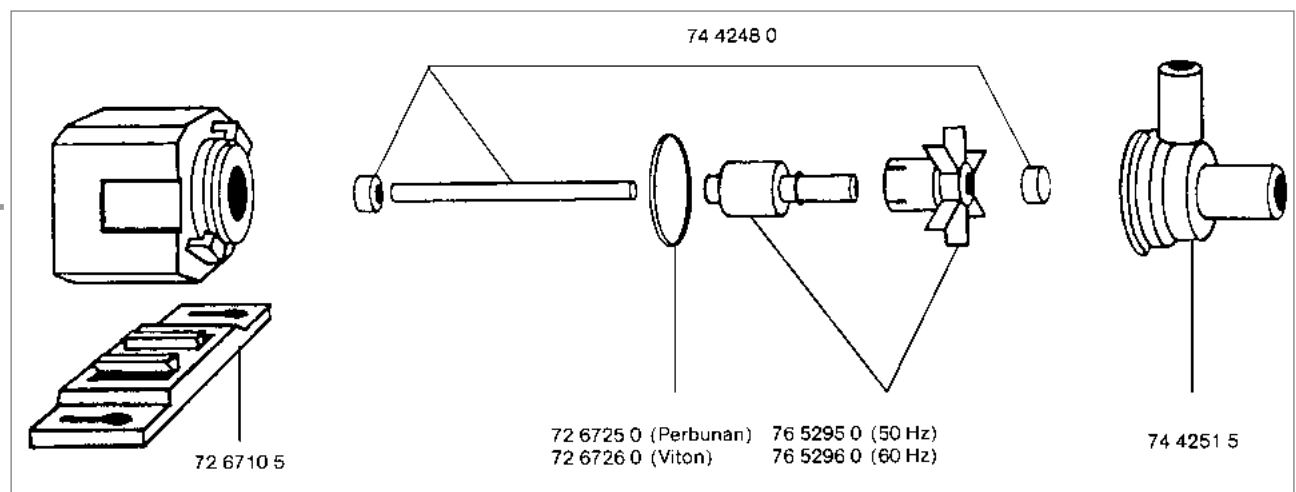
2 years guarantee



Technical Data

pump output	l/h	270
delivery head	Hmax m	0.75
power consumption	Watt	4
tubing connection:	suction side	\varnothing 17 mm
	pressure side	\varnothing 13 mm
dimensions	HxLxD	mm 88 x 66 x 87

Spare Parts



EHEIM Air Pumps 3701/3702/3704



The new air pump offers significant benefits. Continuous quiet operation, air flow can be individually regulated on the pump, air flow and outflow bubbles can be regulated via the new EHEIM diffuser. All-in-one pack with EHEIM diffuser and air line.

Accessories included:

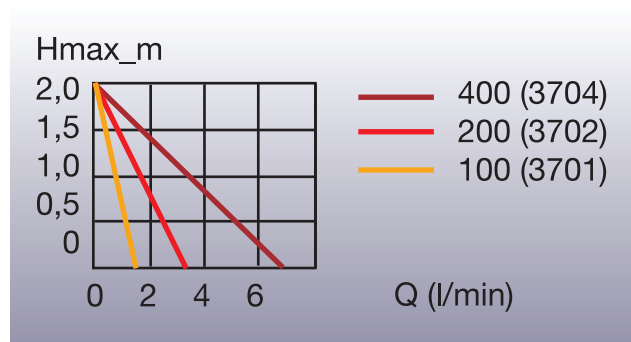
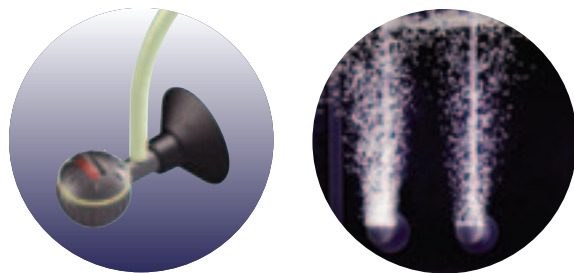
Adjustable diffuser

3701 1x
3702/3704 2x

Air line

3701 1 m
3702/3704 2 m

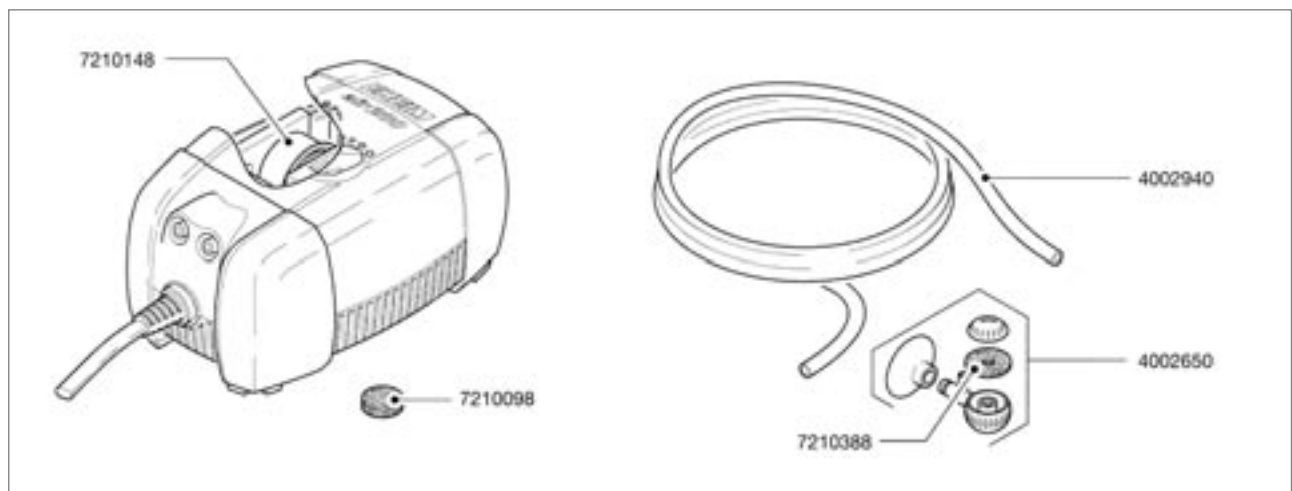
3 years guarantee



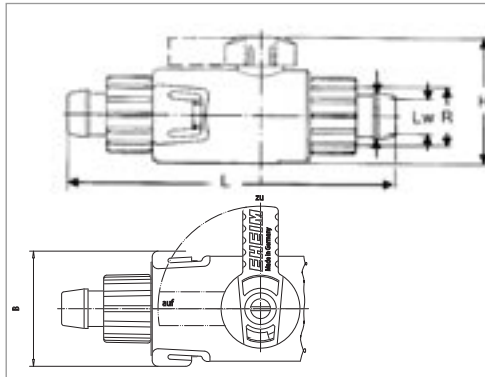
Technical Data

		3701	3702	3704
pump output	l/l	100	200 (2x100)	400 (2x200)
delivery head	Hmax m	2.0	2.0	2.0
power consumption	Watt	3.5	4	5
tubing connection: pressure side	Ø	5	5	5
dimensions	HxLxD mm	152 x 89 x 71	152 x 89 x 71	152 x 89 x 71

Spare Parts

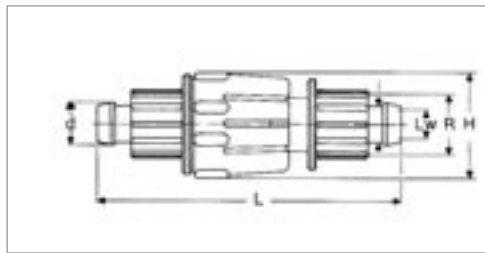


Tap, quick-release coupling and double-tap-connector with quick release coupling represent the optimal solution for a perfect, quick and clean separation of the hose systems in the low pressure range. The ball-valve in the tap guarantees the absolute seal with flow of up to max. 3 Hmax m (valve refers to water with measured temperature of 20°C) and without flow.



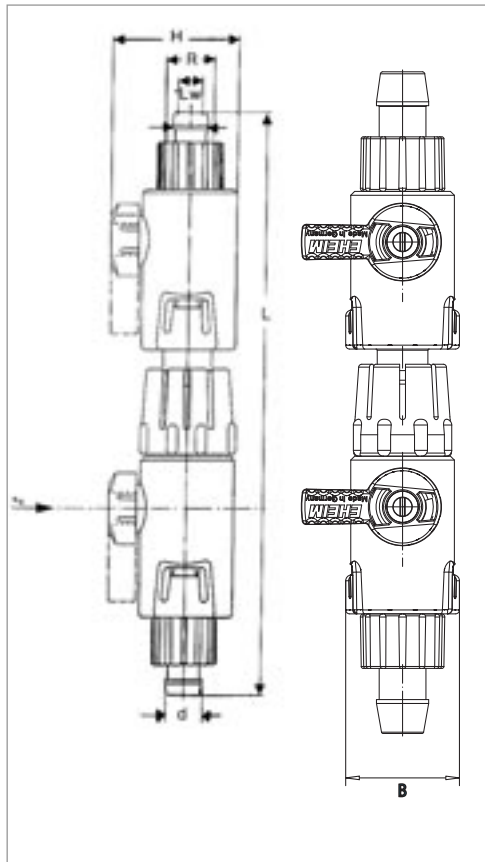
Tap-connector

Order no	for hose ø	L	B	H	R	øLw	ød
4003512	9/12 mm	86	29	36	1/4"	7	10
4004512	12/16 mm	94	29	36	3/8"	10	13.4
4005510	16/22 mm	133	32	44	M24x2	13	18.2
4006510	19/27 mm	190	44	63	M90x2	17	22.6
4007510	25/34 mm	190	44	63	M36x2	19	27



Quick release coupling

Order no	for hose ø	L	øD	R	øLw	ød
4003522	9/12 mm	78	27	1/4"	7	10
4004522	12/16 mm	86	27	3/8"	10	13.4
4005520	16/22 mm	125	32	M24x2	13	18.2



Double-tap-connector with quick release coupling

Order no	for hose ø	L	B	H	R	øLw	ød
4003412	9/12 mm	157	29	36	1/4"	7	10
4004412	12/16 mm	164	29	36	3/8"	10	13.4
4005410	16/22 mm	232	32	44	M24x2	13	18.2
4006410	19/27 mm	324	47	62	M30x2	16	22.5
4007410	25/34 mm	328	47	62	M36x2	19	28

Parts being in contact with the liquid

Parts	Material no
ball-valve	PP
handle	POM
sealing ring	Perbunan
housing	ABS
tubing lock nut	PA 12

Accessories



	No.	article	for hose Ø
	400 2940	EHEIM quality hose (phenol-free) per m	4/6 mm
	400 3943	EHEIM quality hose (phenol-free) 3 m	9/12 mm
	400 4943	EHEIM quality hose (phenol-free) 3 m	12/16 mm
	400 5943	EHEIM quality hose (phenol-free) 3 m	16/22 mm
	400 6949	EHEIM quality hose (phenol-free) 25 m	19/27 mm
	400 7949	EHEIM quality hose (phenol-free) 25 m	25/34 mm
	400 3950	T-connection	9/12 mm
	400 4950	T-connection	12/16 mm
	400 5950	T-connection	16/22 mm
	400 6950	T-connection	19/27 mm
	400 7950	T-connection	25/34 mm
	400 3970	hose connection (2 pcs)	9/12 mm
	400 4970	hose connection (2 pcs)	12/16 mm
	400 5970	hose connection	16/22 mm
	400 6970	hose connection	19/27 mm
	400 7970	hose connection	25/34 mm
	401 3000	elbow	9/12 mm
	401 4050	elbow	12/16 mm
	401 5100	elbow	16/22 mm
	401 6150	elbow	19/27 mm
	401 7200	elbow	25/34 mm
	400 3412	double valve with quick disconnect. coupling	9/12 mm
	400 3512	shut-off valve	9/12 mm
	400 4412	double valve with quick disconnect. coupling	12/16 mm
	400 4512	shut-off valve	12/16 mm
	400 5410	double valve with quick disconnect. coupling	16/22 mm
	400 5510	shut-off valve	16/22 mm
	400 6410	double valve with quick disconnect. coupling	19/27 mm
	400 6510	shut-off valve	19/27 mm
	400 7410	double valve with quick disconnect. coupling	25/34 mm
	400 7510	shut-off valve	25/34 mm
	400 3522	quick disconnection coupling	9/12 mm
	400 4522	quick disconnection coupling	12/16 mm
	400 5520	quick disconnection coupling	16/22 mm
	400 3530	hose clamp (2 pcs)	9/12 mm
	400 4530	hose clamp (2 pcs)	12/16 mm
	400 5530	hose clamp (2 pcs)	16/22 mm
	400 6530	hose clamp (2 pcs)	19/27 mm
	400 7530	hose clamp (2 pcs)	25/34 mm
	400 3540	suction device for all hoses	
	400 3551	cleaning brush 100 cm	9/12 mm
	400 4551	cleaning brush 100 cm	12/16 mm
	400 5551	cleaning brush 100 cm	16/22 mm
	400 7551	cleaning brush 100 cm	19/27 + 25/34 mm
	400 3570	universal brush	9/12 - 25/34 mm
	400 9560	set cleaning brush for all EHEIM pumps	

The industry's three major European brands belong to the EHEIM Aquatics Group. They all guarantee top quality, absolute reliability and long service life.



EHEIM GmbH & Co. KG
Plochinger Str. 54
73779 Deizisau
Germany
Tel. +49 7153/70 02-01
Fax +49 7153/70 02-174



**Müller + Pflieger
GmbH & Co. KG**
Industriegebiet
Kreuzwiese 13
67806 Rockenhausen
Germany
Tel. +49 6361/921 60
Fax +49 6361/76 44



Eugen Jäger GmbH
Auf dem Berg 31
71543 Wüstenrot-
Finsterrot
Germany
Tel. +49 7945/633
Fax +49 7 945/13 61

www.eheim.de