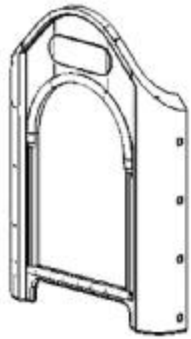
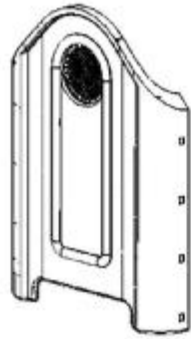


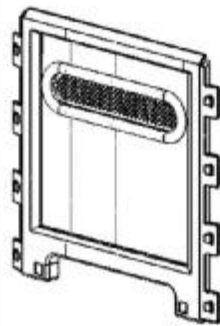
Dog House Assembly Instruction



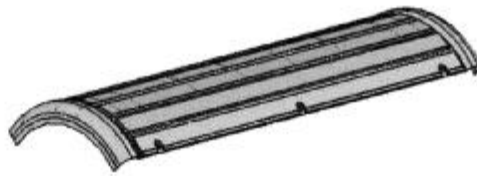
Front panel x 1



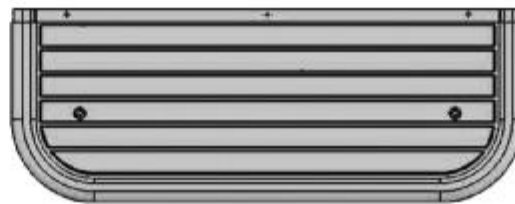
Back panel x 1



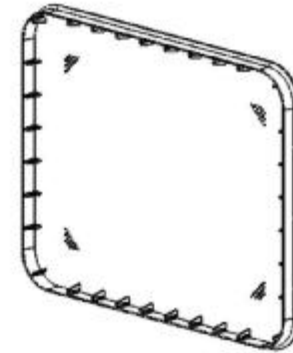
Side panel x 2



Center roof panel x 1



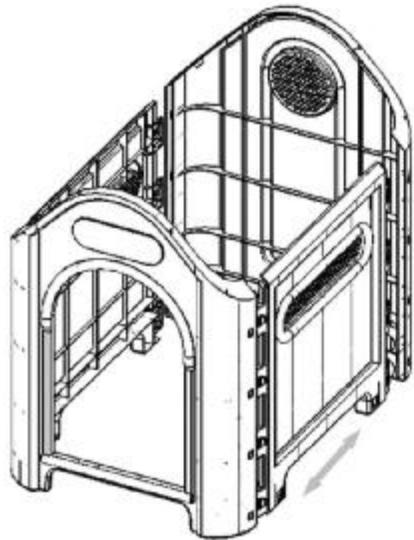
Side roof panel x 2



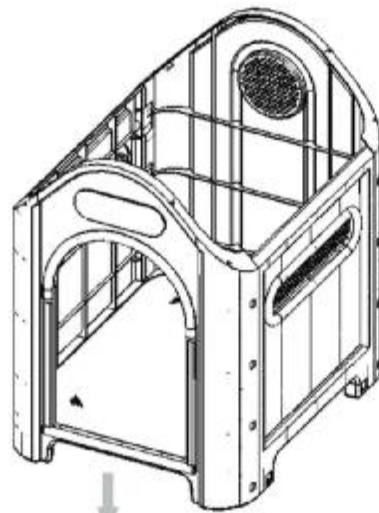
Floor panel x 1



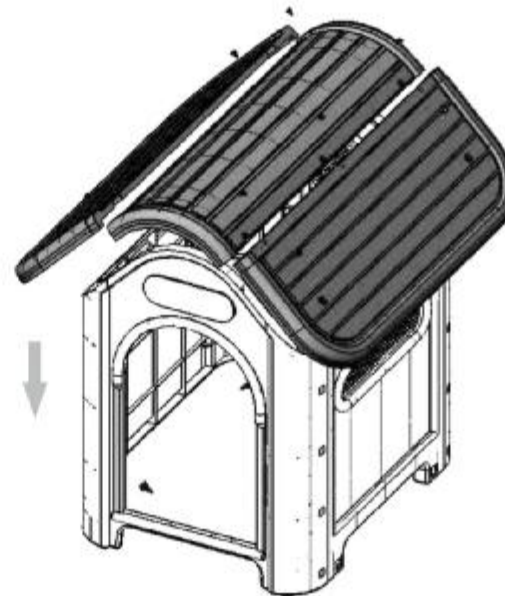
Screw x 10



Attach 2 side panel to the back and the front panel



Put the floor panel into the kennel body through opening at top



Attach the 1 center roof panel and 2 side roof panel with 10 screws provided



Congratulation ! your dog house is completed