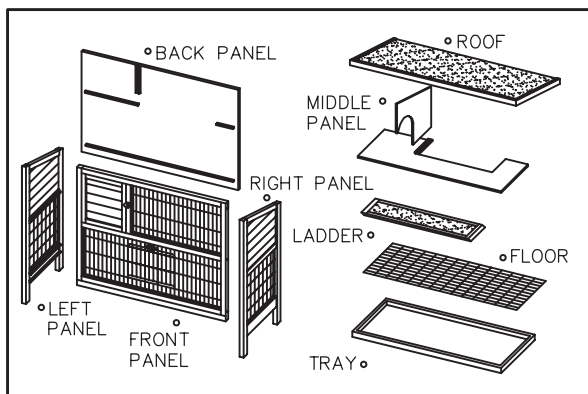
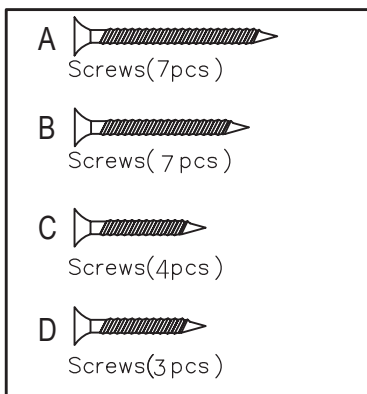
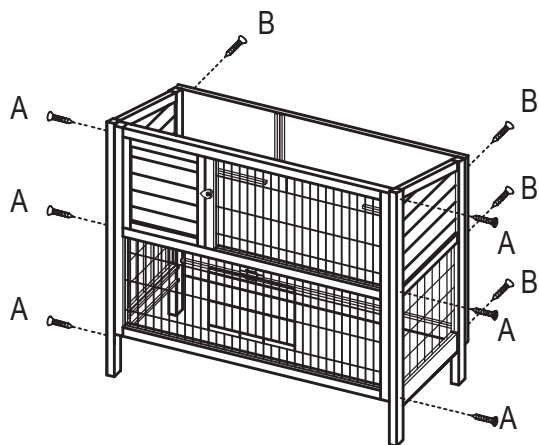


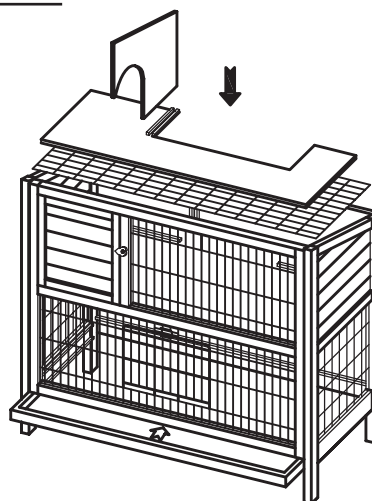
RABBIT HUTCH ASSEMBLY INSTRUCTION



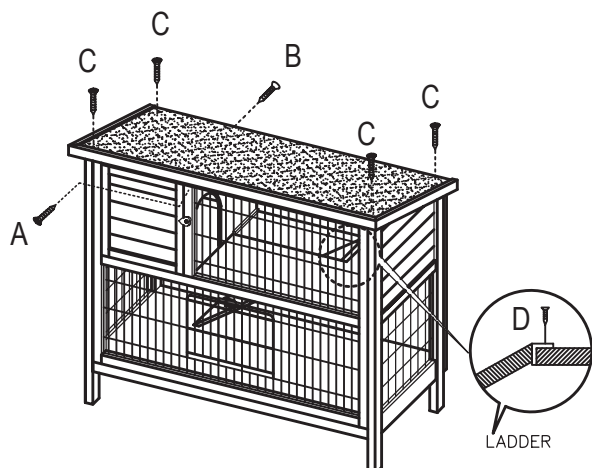
Assembly Instructions



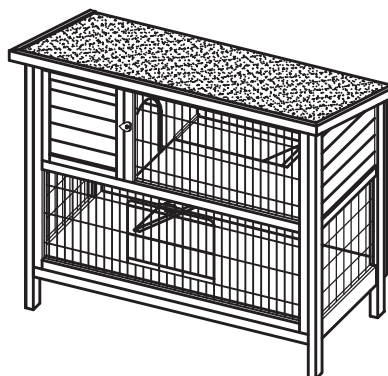
Step 1: Secure the side panels



Step 2: Drop in floors and put middle panel
 Insert plastic tray



Step 3: Put in ladder and attach the roof
 Fix the screws



Step 4: Complete Rabbit hutch